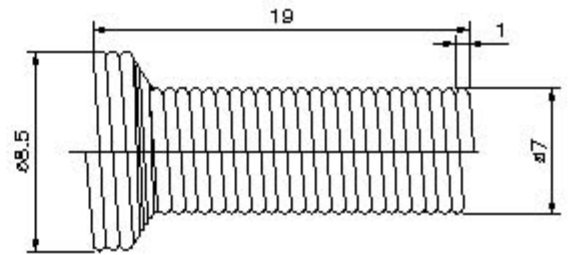
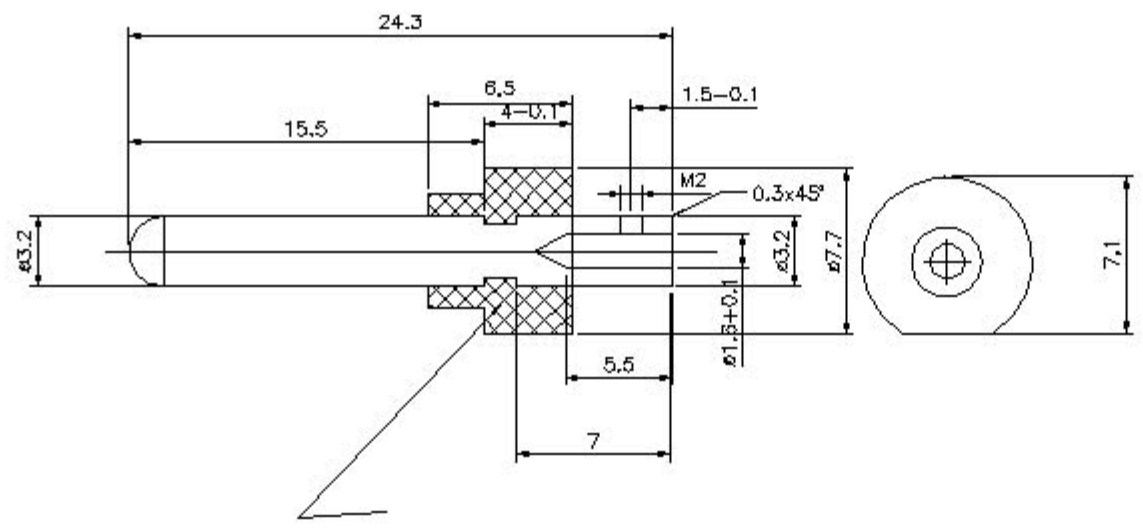
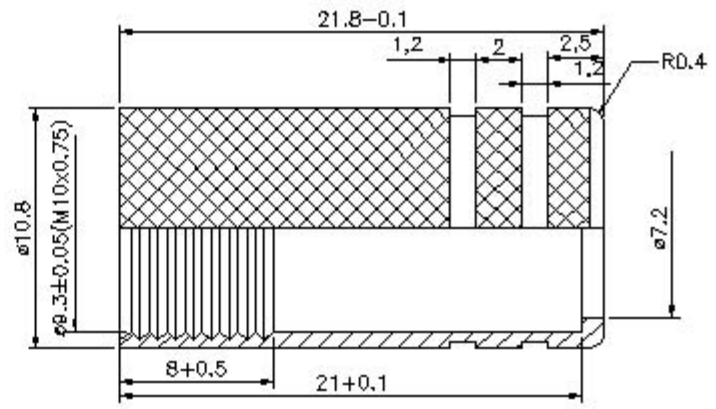
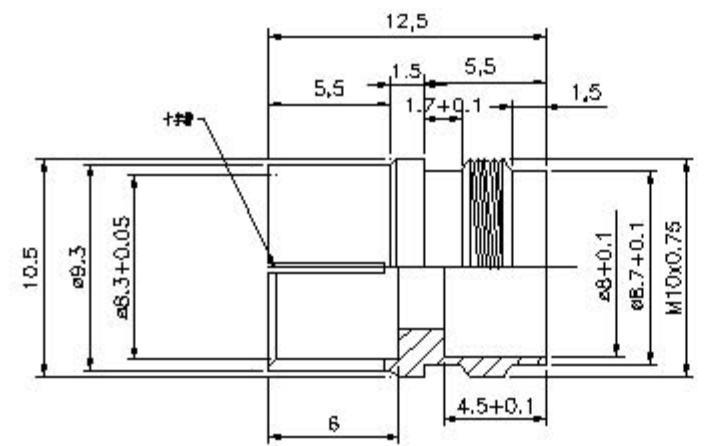


SIGN	DATE	DESCRIPTION	APPROVER
△			
△			
△			



Materials

- 1.Body:Brass with gold plated
- 2.Pin:Brass with gold
- 3.Insulator:PTFE
- 4.Spring:Brass with gold
- 5.Rubber ring:Silica gel black clour/red clour

P/N:TP2-018 and TP2-019

Decription:RCA male